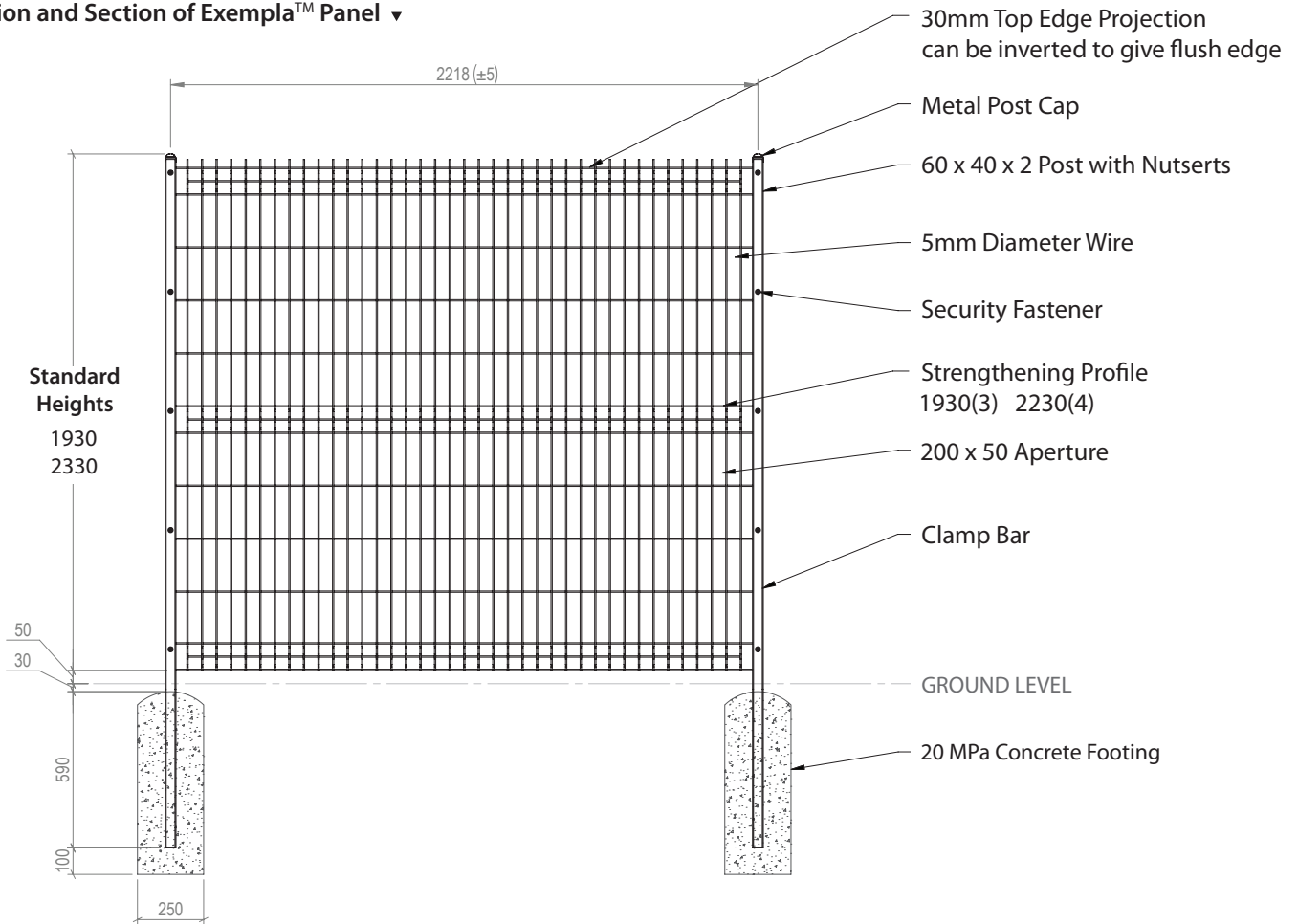
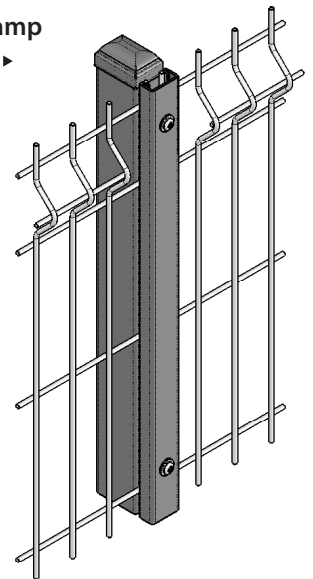


Elevation and Section of Exempla™ Panel ▾

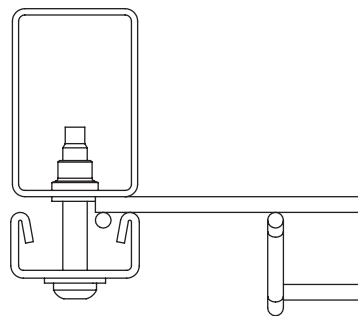
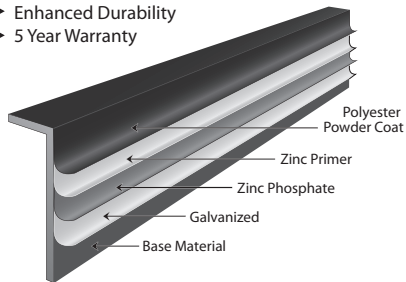


Exploded View of Post & Clamp of Exempla™ Panel System ▶

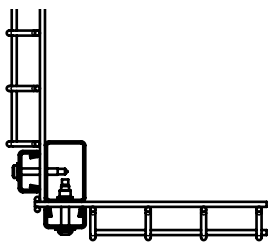


JF Z400 Coating

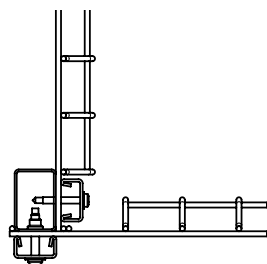
- > Enhanced Durability
- > 5 Year Warranty



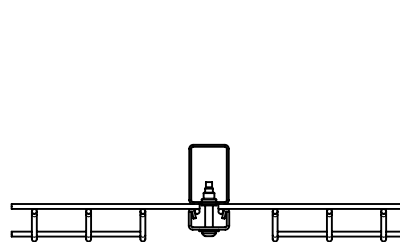
▲ Horizontal section of Exempla™ Clamp Bar



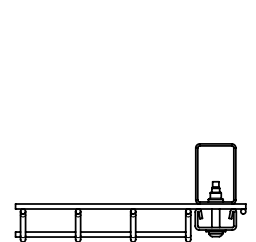
External Corner Post



Internal Corner Post



Intermediate Post



End Post

EXEMPLA™ Profiled Panel System

SCALE: DO NOT SCALE

DATE: 27/10/10

REV:



JAGFENCE®

JAGFENCE SYSTEMS

720 Greenwattle St (PO Box 118) Toowoomba QLD 4350

5 McVeigh St (PO Box 1334) Young NSW 2594

Tel. 1800 628 785 Fax. 1800 628 795

Email. admin@jagfence.com.au

Web. www.jagfence.com.au